

Reducing Cross - Stainless Steel 304L

INFICON CF quality fittings are manufactured according to ISO 3669 and the latest TS/ ISO 3669-2 standard. INFICON Ultra high vacuum fittings are designed for applications down to 1×10^{-12} mbar and bakeout temperatures up to 400°C.



BENEFITS

- World wide logistics
- Design and measures follow strictly international respected standards
- Surface finish, welds, material specifications and cleanliness meet or exceed high vacuum specifications
- 2011/65/EU RoHS compliant

ORDER INFORMATION

Type

Distribution piece DN 100/40/16CF

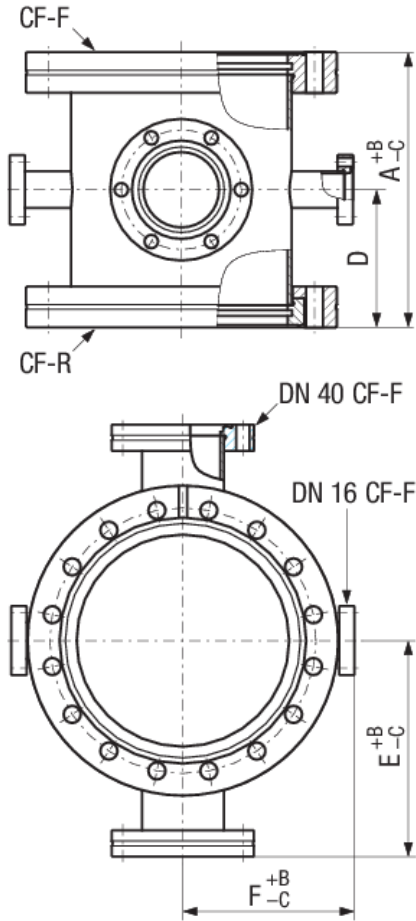
DN 100 CF

213-342

SPECIFICATIONS

Type	DN 100 CF
Dimension A	135
Dimension B	1
Dimension C	1
Dimension D	67.5
Dimension E	106
Dimension F	84
Material:	Stainless steel 304L / 1.4306
DN 16 CF-F	2
DN 40 CF-F	2

DIMENSIONS



www.inficon.com reachus@inficon.com

Due to our continuing program of product improvements, specifications are subject to change without notice. RateWatcher is a trademark of INFICON. All other trademarks are the property of their respective owners.

(2018-08) © 2018 INFICON